

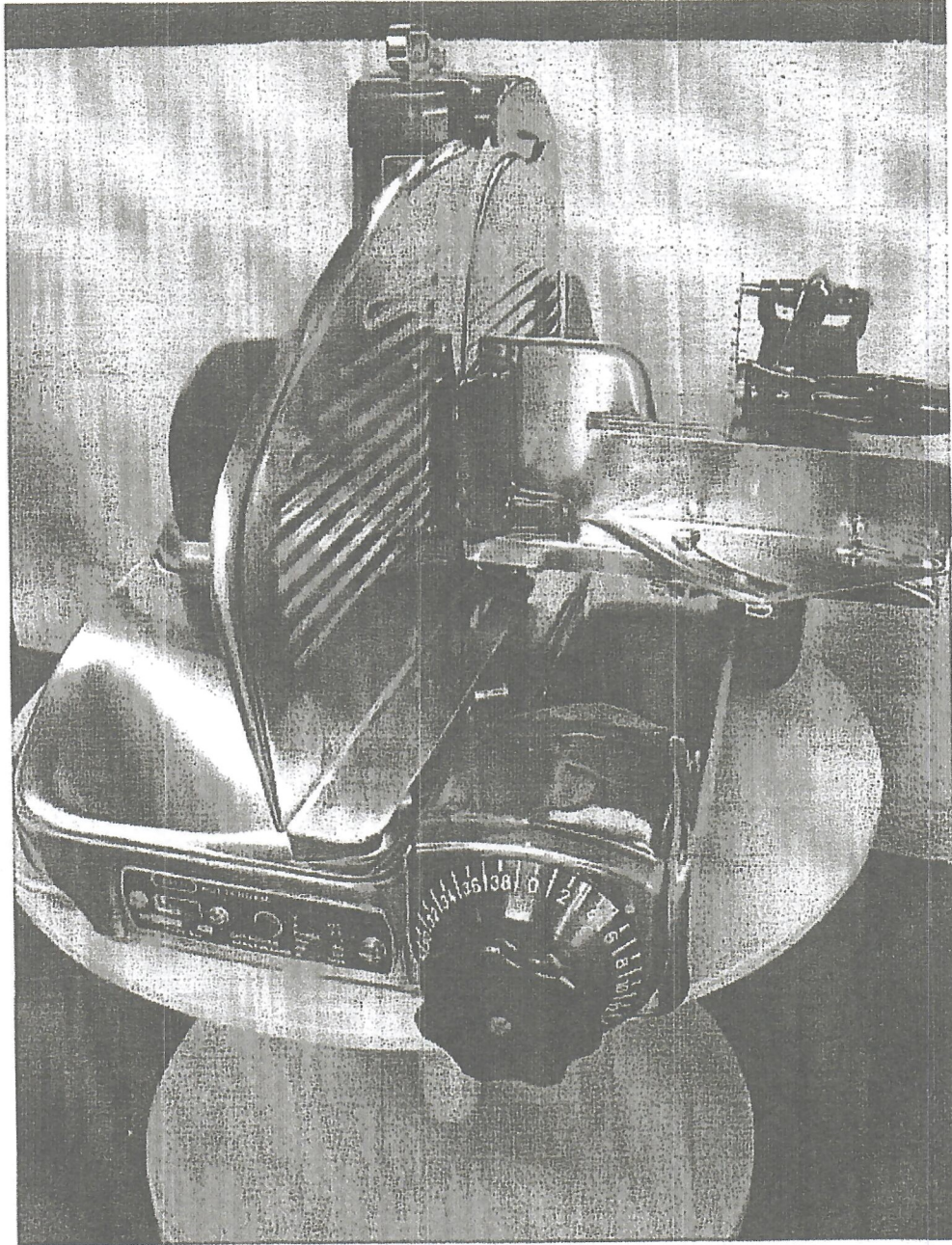


Verbas B.V. – DEKO Holland

Leemansweg 95
NL 6827 BX Arnhem

T +31 (0)26 384 90 80
F +31 (0)26 384 90 83

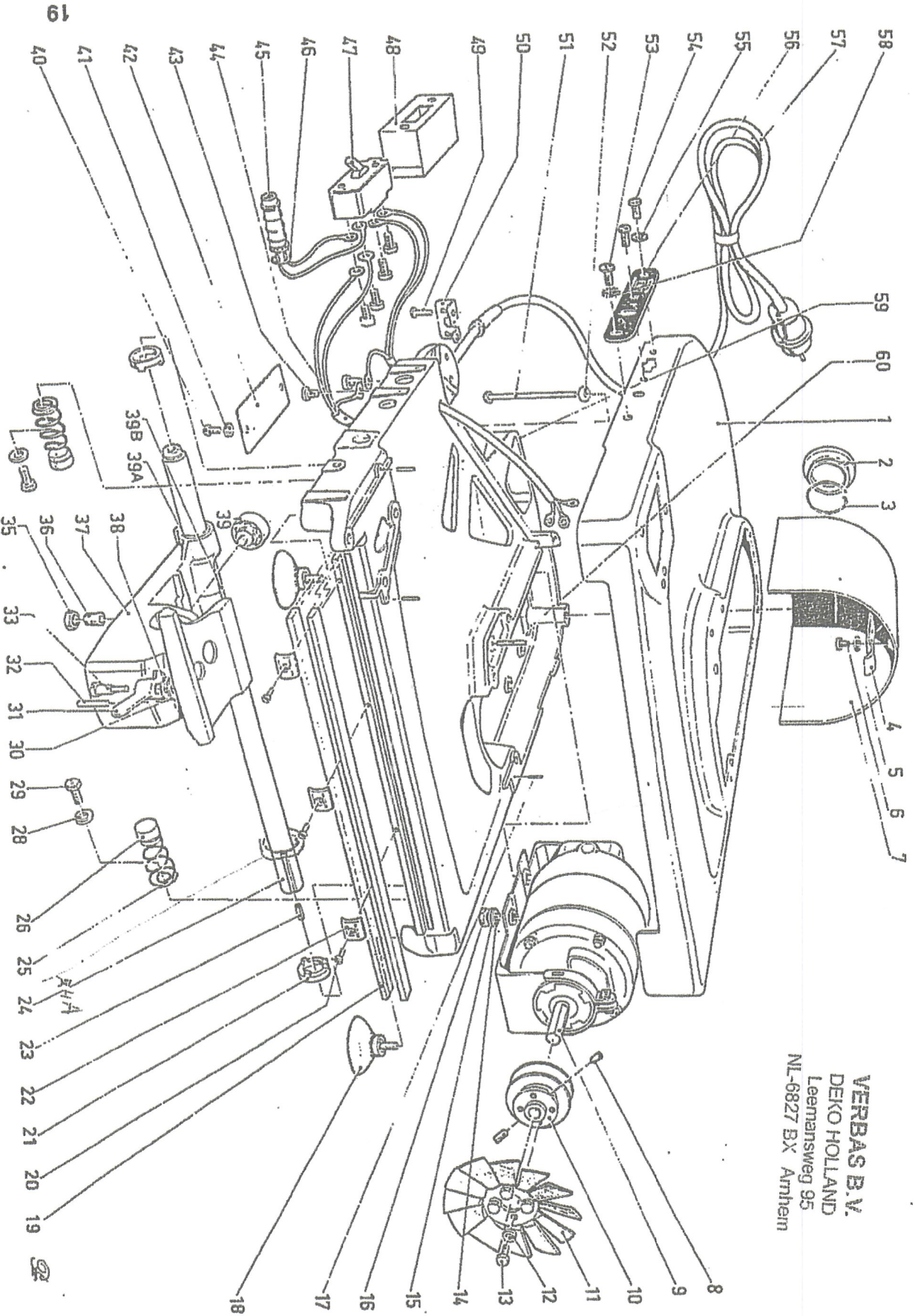
I www.dekoholland.com
E info@dekoholland.com



MANUAL SLICING MACHINE MODEL 834 NON-CE

DEKO Holland is a brand name of Verbas BV
VAT-Nr. NL820940598B01 Chamber of Commerce Arnhem 092019950000
ABN AMRO 59.25.80.873 IBAN NL41ABNA0592580873 BIC ABNANL2A

VIEW 1



VERBAS B.V.
DEKO HOLLAND
Leemansweg 95
NL-6827 BX Arnhem

MODEL: slicer 834

DATE: october 1990

B E R K E L

GROUP: Base assembly

page 1

INDEX NUMBER	PART NUMBER	DESCRIPTION
1	3401-4013	main frame cover
2	4301-3382	dust cap
3	3201-3265	spring
4	3401-3793	cover clamp
5	2101-9115	lock washer
6	2101-2067	screw
7	3701-3169	motor cover
8	2101-3110	locking screw
9	2501-1001	motor 220V/240V WS 50/60 Hz
	2501-1004	motor 220V/380V DS 50/60 Hz
	2501-1005	motor 110V/127V WS 50 Hz
10	3701-3162	motor pulley
11	3401-3779	fan
12	2101-9115	lock washer
13	2101-2067	screw
14	2101-9118	lock washer
15	3201-6083	washer
16	2101-1078	bolt
17	2201-3016	pin
18	3601-3306	rubber foot
19	3401-3780	rubber strip
20	2101-4034	screw
21	3801-3149	buffer
22	3401-3785	clamp
23	2201-4850	tolerance ring
X 24	X3301-3781X	slide rail <i>no longer available</i>
25	3201-3267	spring <i>Tolerance ring</i>
26	3801-3139	buffer
28	2101-8050	washer
29	2101-1076	bolt
30	2101-9223	washer
31	3701-3159	locking handle
32	2201-3018	pin
33	3201-6120	fixing nut
35	3201-6043	nut
36	4301-3385	adjusting screw
X 37	X3701-3190X	sliding support <i>no longer available</i>
38	2101-9201	cupped ring
39	4301-3383	spindle and ball bearing
39A	3301-3783	bearing
39B	3401-3778	lubricating sleeve
40	2101-2066	screw
41	2101-9115	lock washer
42	3401-3877	switch cover
43	2101-2075	screw
44	dependent on motor	cable for motor

VERBAS B.V.
DEKO HOLLAND
Leemansweg 95
NL-6827 BX Arnhem

INDEX NUMBER	PART NUMBER	DESCRIPTION
45	2601-9002	pilot light 220V
	2601-9003	pilot light 110V
	2601-9011	pilot light 380V
46	3201-3266	spring
47	2601-1064	switch 3-phase current
	2601-1065 ✓	switch alternating and direct current
X 48 X	X 3501-3473 X	isolating box 230V ^{400V} no longer available
49	2101-2066	screw
50		cable clamp (no longer available)
51	2101-2073	screw
52	3201-6084	washer
53	3201-6115	screw
54	2101-2066	screw
55	2101-9115	lock washer
X 56	dependent on motortype	identity plate
57	dependent on motortype	cable with plug
58	2101-9117 2101-8515	securing ring
59	3701-3357	base
60	2201-3017	securing pin

X

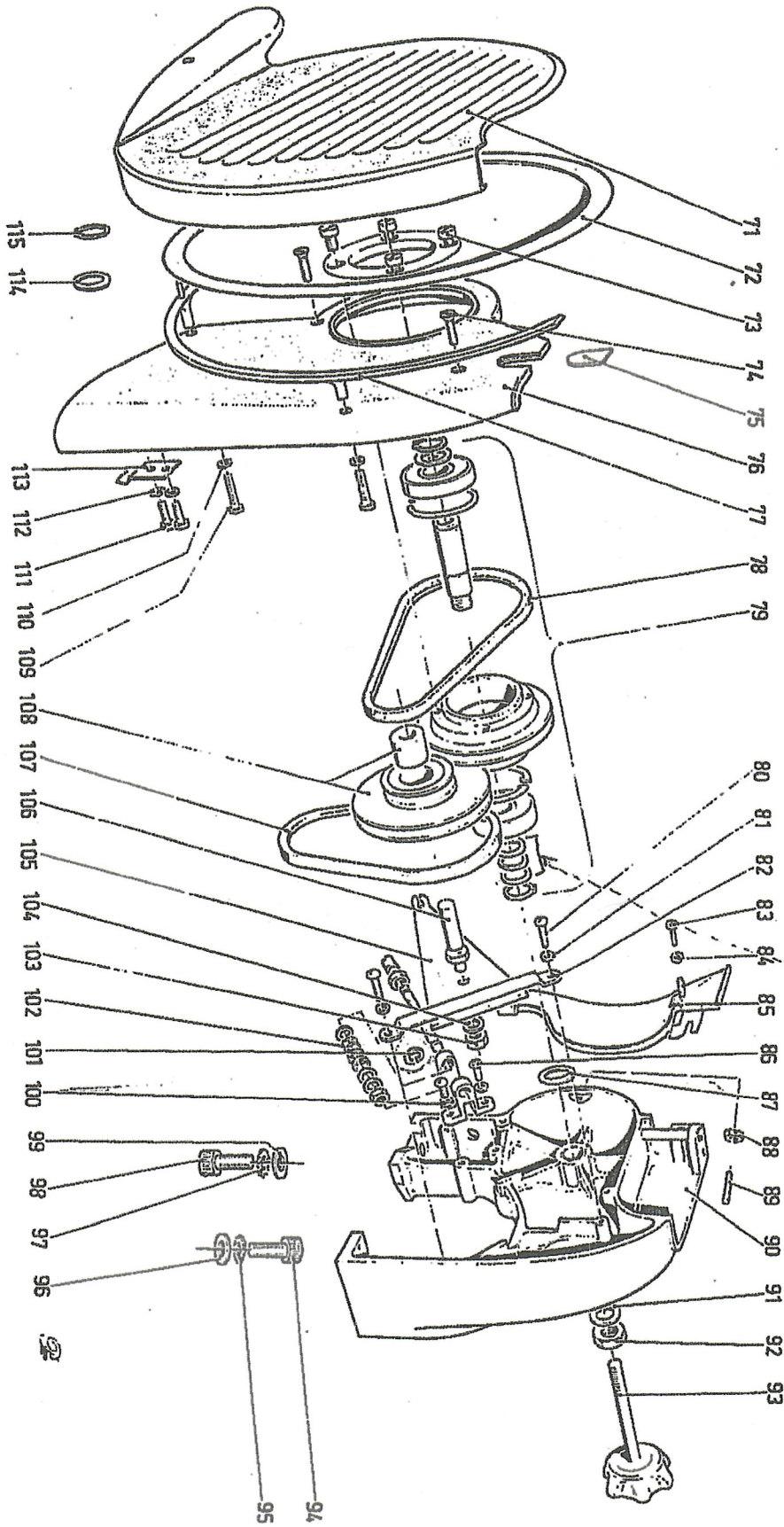
Duits land - 380V 3101-3492
220V " " 91

Oostenrijk " " 93

Nederland 3101-3486

VERBAS B.V.
DEKO HOLLAND
Leemansweg 95
NL-6827 BX Arnhem

3



VIEW 2

{ 3101-6080 (1x)
 - 6081 (1x)
 - 6086 (1x)

VERBAS B.V.
 DEKO HOLLAND
 Leemansweg 95
 NL-6827 BX Arnhem

4

MODEL: slicer 834

DATE: october 1990

B E R K E L

GROUP: Knife box

page 3

INDEX NUMBER	PART NUMBER	DESCRIPTION
71	4401-3123	centre plate
72	3501-3447	knife
73	2101-2074	screw
74	2101-4039	screw
75	3401-3791	sharpener guide
76	3701-3166	knife box cover
77	3701-3211	knifeguard
78	2301-5202	V-belt
79	4301-3387	knife shaft assy
80	2101-2071	screw
81	2101-9116	lock washer
82	3401-3790	belt idler strip
83	3201-6114	screw
84	2101-8051	washer
85	4401-3212	deflector
86	2101-2071	screw
87	3201-6090	washer
88	* 2101-7042	nut
89	* 2101-6113	screw
90	4601-3619	knife box
91	3201-6089	washer
92	3201-6078	nut
93	3801-3200	centre plate knob
94	2101-3101	bolt
95	2101-9201	spring washer
96	2101-8052	washer
97	2101-9201	spring washer
98	2101-3104	bolt
99	2101-8052	washer
100	2101-9116	lock washer
101	3201-6094	washer
102	4301-3389	belt idler assy
103	2101-7049	nut
104	2101-9119	lock washer
105	3401-3789	belt idler plate
106	3301-3789	shaft for idler plate
107	2301-5202	V-belt
108	4301-3391	counter shaft pulley
109	2101-2072	screw
110	2101-8516	lock washer
111	2101-2067	screw
112	2101-9115	lock washer
113	3401-3794	motor cover clamp
114	3201-6087	washer
115	2201-4840	circlip

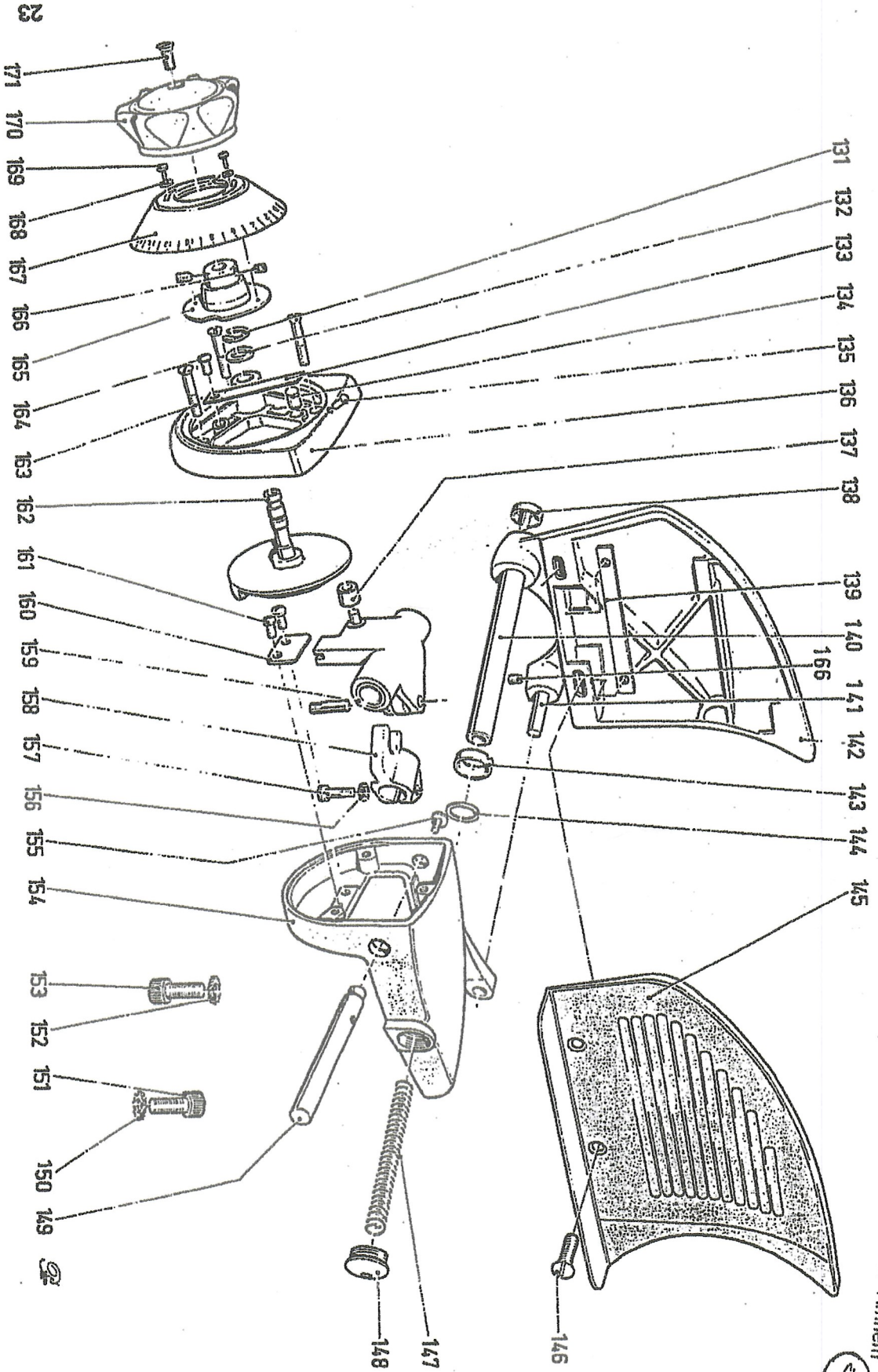
3301-4438
2101-7100

VERBAS B.V.
DEKO HOLLAND
Leemansweg 95
NL-6827 BX Arnhem

5

Compleet = 4661-1002

VIEW 3



VERBAS B.V.
DEKO HOLLAND
Leemansweg 95
NL-6827 BX Arnhem



MODEL: SLICER 834

DATE: october 1990

B E R K E L

GROUP: Index with gauge plate

page 4

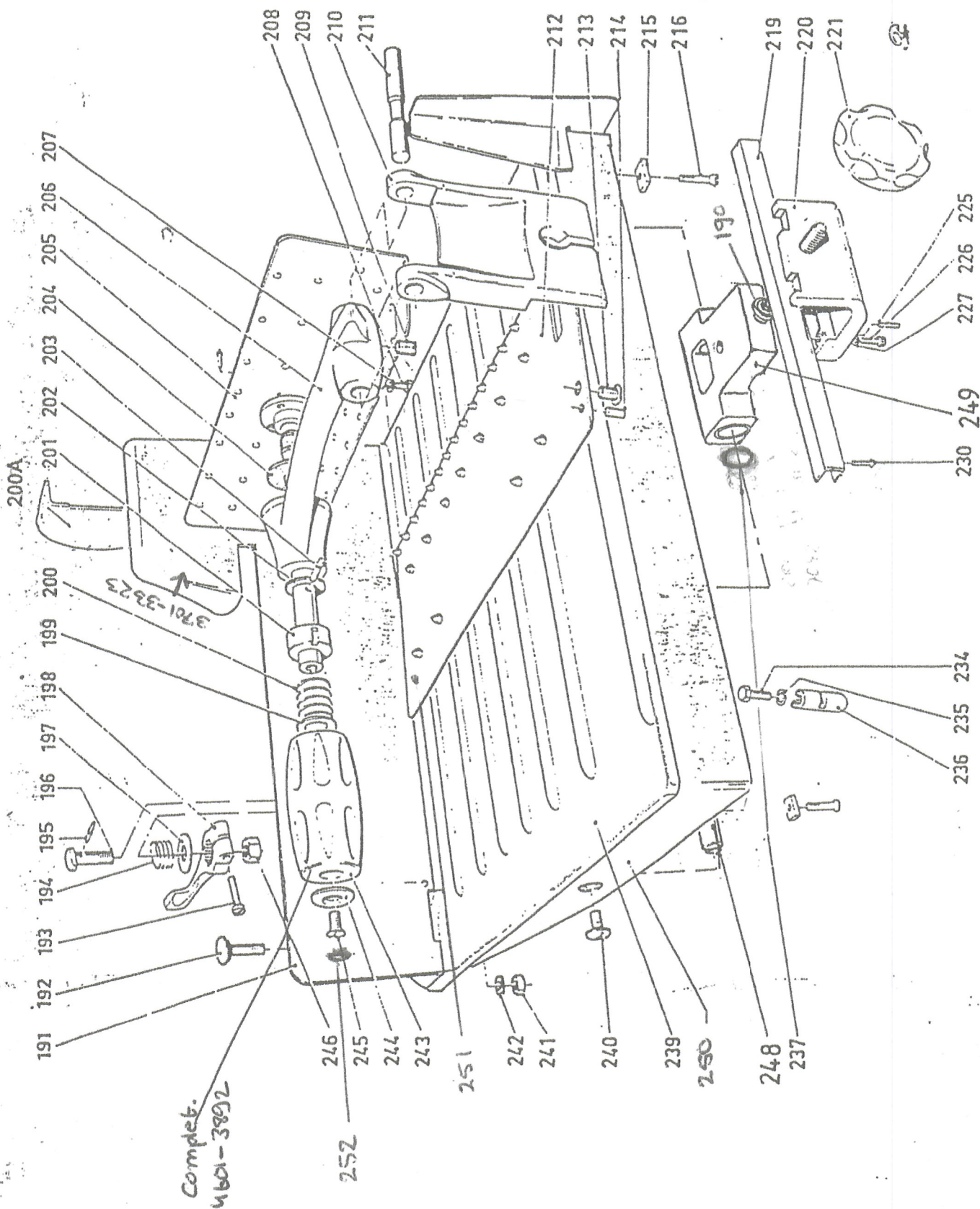
INDEX NUMBER	PART NUMBER	DESCRIPTION
131	2201-4836	circlip
132	3301-3917	washer
133	3201-3268	flat spring
134	3801-3192	friction plug
135	2201-3406	index
136	3701-3342	index front plate
137	3301-3919	index roller
138	3801-3239	bracket cap
139	3501-3570	clamp
140	3301-4163	spindle
141	3301-3916	pin
142	3701-3344	gauge plate bracket
143	3401-3846	felt cap
144	3401-3845	felt washer
145	4401-3228	gauge plate
146	3201-6251	screw
147	3201-3269	spring
148	3701-3207	index bracket cap
149	3301-3920	index slide bar
150	2101-9119	washer
151	2101-3101	bolt
152	2101-9119	washer
153	2101-3103	bolt
154	3701-3340	index bracket
155	3201-6117	screw
156	2101-9119	lock washer
157	2101-3101	bolt
158	3701-3206	bracket shaft fork
159	4301-3454	sleeve
160	3401-3844	index slide strip
161	2101-2067	screw
162	3701-3213	index cam
163	2101-4042	screw
164	2101-2066	screw
165	3701-3353	boss
166	2101-3100	screw
167	3801-3191	index scale
168	2101-8051	washer
169	2101-2071	screw
170	3801-3204	index knob
171	2101-4032	screw

VERBAS B.V.
DEKO HOLLAND
Leemansweg 95
NL-6827 BX Arnhem

(7)

Kompleta fel
4601-3590

New



2201-0056

MODEL: slicer B34

DATE: october 1990

BERKEL

GROUP: Meat table assembly

page 5

INDEX NUMBER	PART NUMBER	DESCRIPTION
191	4401-3215	slanting guide
192	3301-4146	bolt
193	2101-2072	screw
194	3201-8304	spring
195	2201-3026	pin
196	3301-4145	bolt
197	2101-8053	washer
198	3701-3325	securing handle
199	3201-6098 = 2101-8100	washer
200A	3701-3323	meat support
200	3201-3263	spring
201	3801-3156	bearing
202	3201-6085	washer
203	2201-3714	pin (nieuwentr. 2201-0056)
204	3201-8303	washer
205	4401-3221	push plate
206	3701-3332	push plate arm
207	2101-8050	washer
208	2101-3159	bolt
209	2101-3100	locking screw
210	3701-3334	pusher arm plate
211	3301-4156	pusher arm shaft
212	4401-3220	holding plate
213	2101-2082	screw
214	2201-3027	pin
215	3501-3568	tightening strip
216	*3301-4144 2101-4042	screw
217	2301-8022	roller * no longer available
218	2101-3112	adjusting bolt * no longer available
219	3501-3567	guide
220	4401-3216	support
221	3801-3215	pusher knob
222	2101-7042	nut
223x	4601-3591x 4601-3732	sledge
224	3301-3802	pin
225	2201-3018	pin
226	2101-3133	bolt
227	2101-8050	washer
228	2101-9115	washer
229	2101-2068	screw
230	2101-4070	screw
231x	4601-3591x 4601-3732	sledge
232	2101-7042	nut
233	2101-2068	screw
234	2101-1093	bolt
235	2101-8050	washer

VERBAS B.V.
DEKO HOLLAND
Leemansweg 35
NL-6827 BX Arnhem

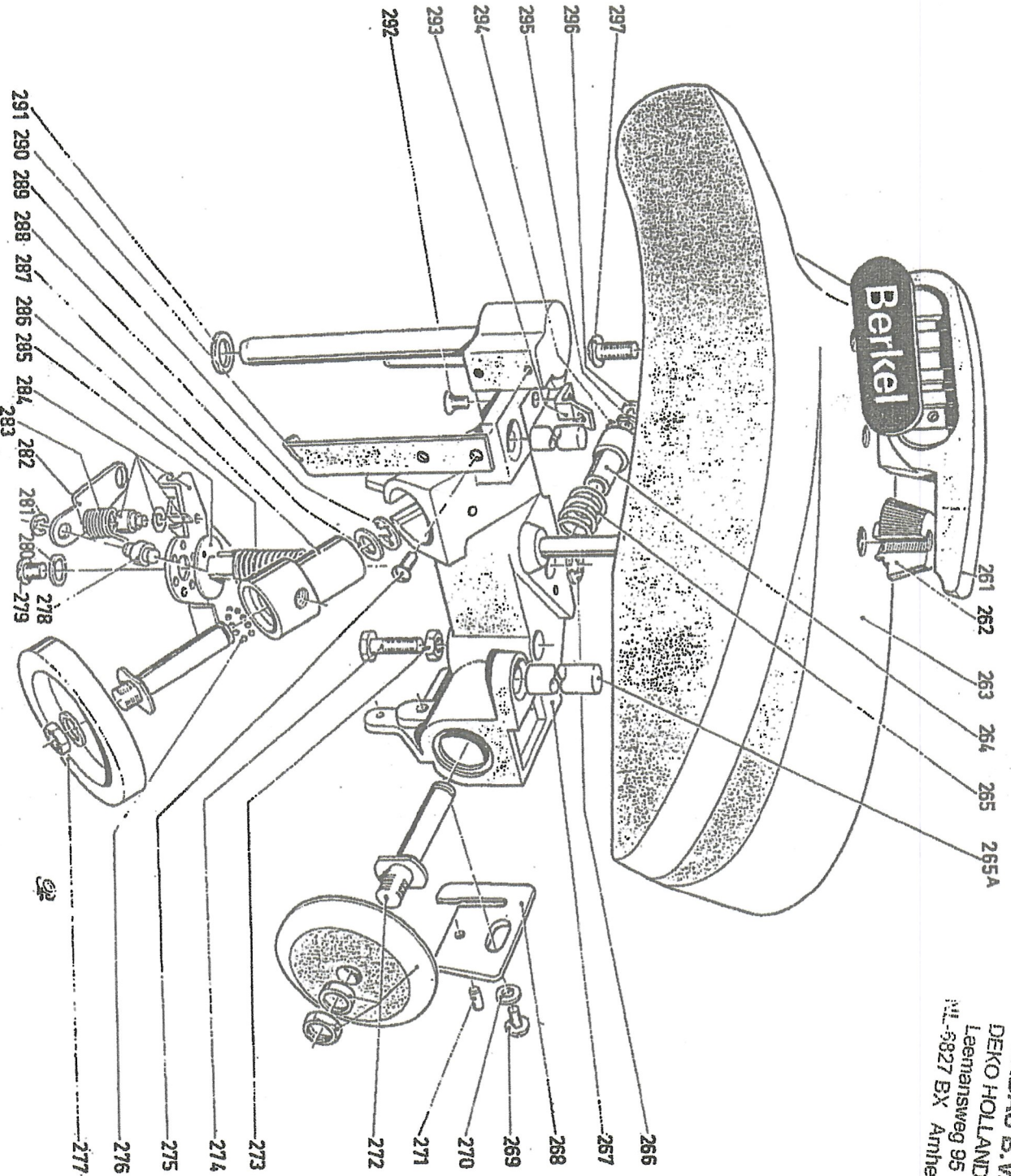
(9)

INDEX NUMBER	PART NUMBER	DESCRIPTION
236	3301-3801	tightening pin
237	3501-3566 = 3201-6104	stopping sleeve
238	3301-4150	guide pin
239	4401-3214	meat plate
239A 250	3701-3321	meat table
240	3201-6117	screw
241	2101-7048	nut
242	2101-8050	washer
243	3801-3182	pusher handle
244	3201-6082 3301-4325	washer
245	2101-4038	screw
246	3301-4140	nut

248	3301-4395	AS
249	4601-3732	slede kompl.
250	3701-3321	meat table
251	3301-4142	glij-schijf.
252	3801-3298	afdekdopje

VIEW 5

VERBAS B.V.
 DEKO HOLLAND
 Laemansweg 95
 NL-5827 BX Arnhem



MODEL: slicer 834

DATE: october 1990

B E R K E L

GROUP: Sharpener assembly

page 7

INDEX NUMBER	PART NUMBER	DESCRIPTION
261	4301-3403	grip with berkel name plate
262	3801-3278 = 3301-4246	knurled knob
263	3701-3338	sharpener cover
264	3301-3820	spindle bearing
265	3201-3270	spring
265A	2201-3016	pin
266	2201-4837	circlip
267	3701-3212	sharpener frame
268	3401-3802	adjusting plate
269	2101-2082	screw
270	2101-9218	washer
271	2201-0028	pin
272	4301-3405	inside stone with shaft
273	2101-7041	nut
274	2101-1079	bolt
275	2101-2067	screw
276	2301-7020	ball
277	4301-3404	outside stone with shaft
278	3301-3813	link screw
279	2101-2066	screw
280	2101-8051	washer
281	2201-4804	circlip
282	3401-3803	link
283	3201-3275	spring
284	4401-3124	sharpener lever
285	3301-3816	sharpener lever spindle
286	3201-3271	spring
287	3301-3810	spindle bearing = vervallen
288	3301-3812	collar
289	2201-4805	circlip
290	3201-3272	flat spring
291	3201-6095	felt washer
292	2101-4035	screw
293	3401-3805	stay
294	2301-7020	ball
295	3301-3812	collar
296	2201-4805	circlip
297	2101-2065	screw

VERBAS B.V.
DEKO HOLLAND
Leemansweg 94
NL-6827 BX Arnhem

4601-

42